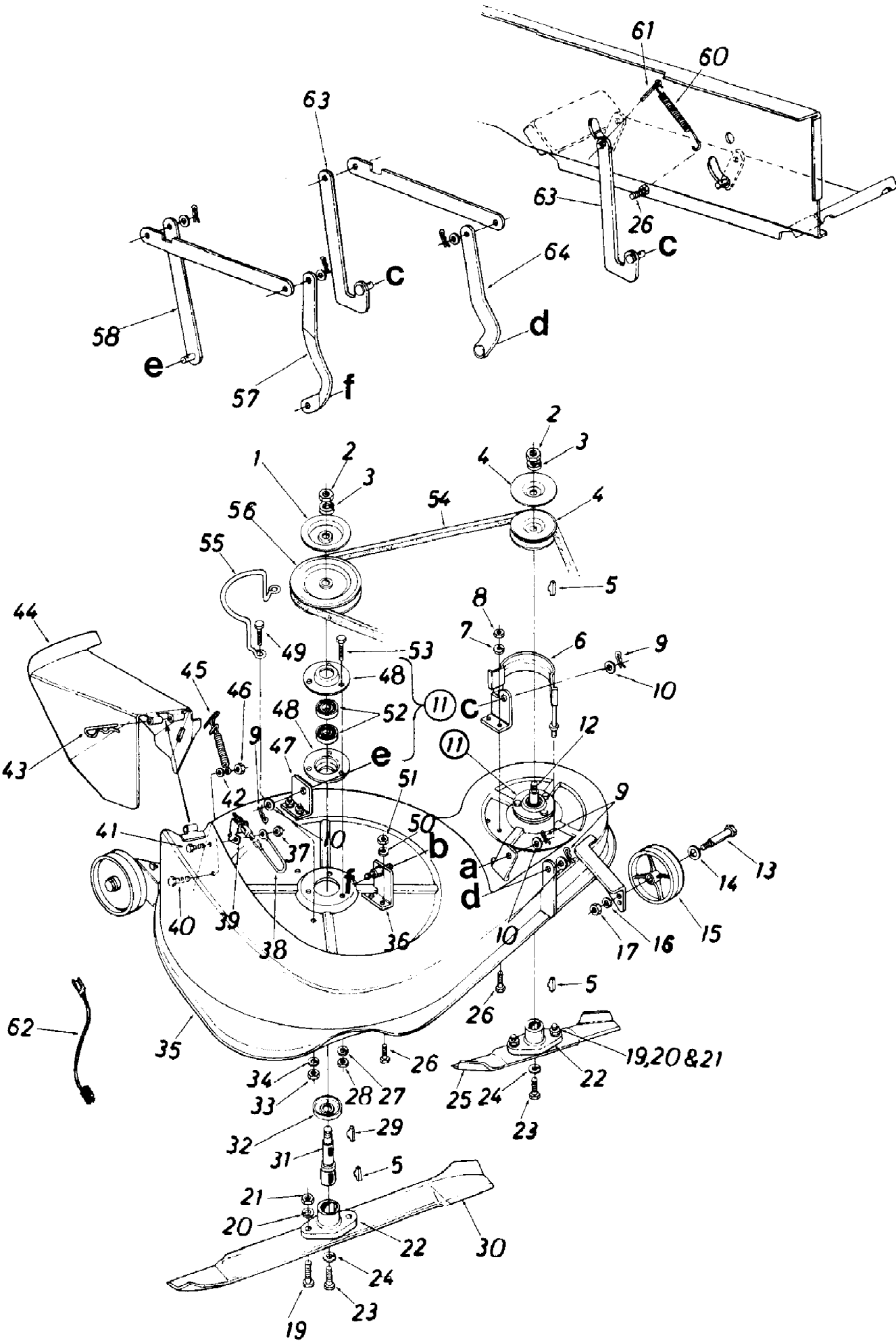


135-688-190 36" Lawn Tractor LT-112 (1985)  
36" Rear Discharge Mowing Deck Assembly



135-688-190 36" Lawn Tractor LT-112 (1985)  
36" Rear Discharge Mowing Deck Assembly

Page 2 of 26

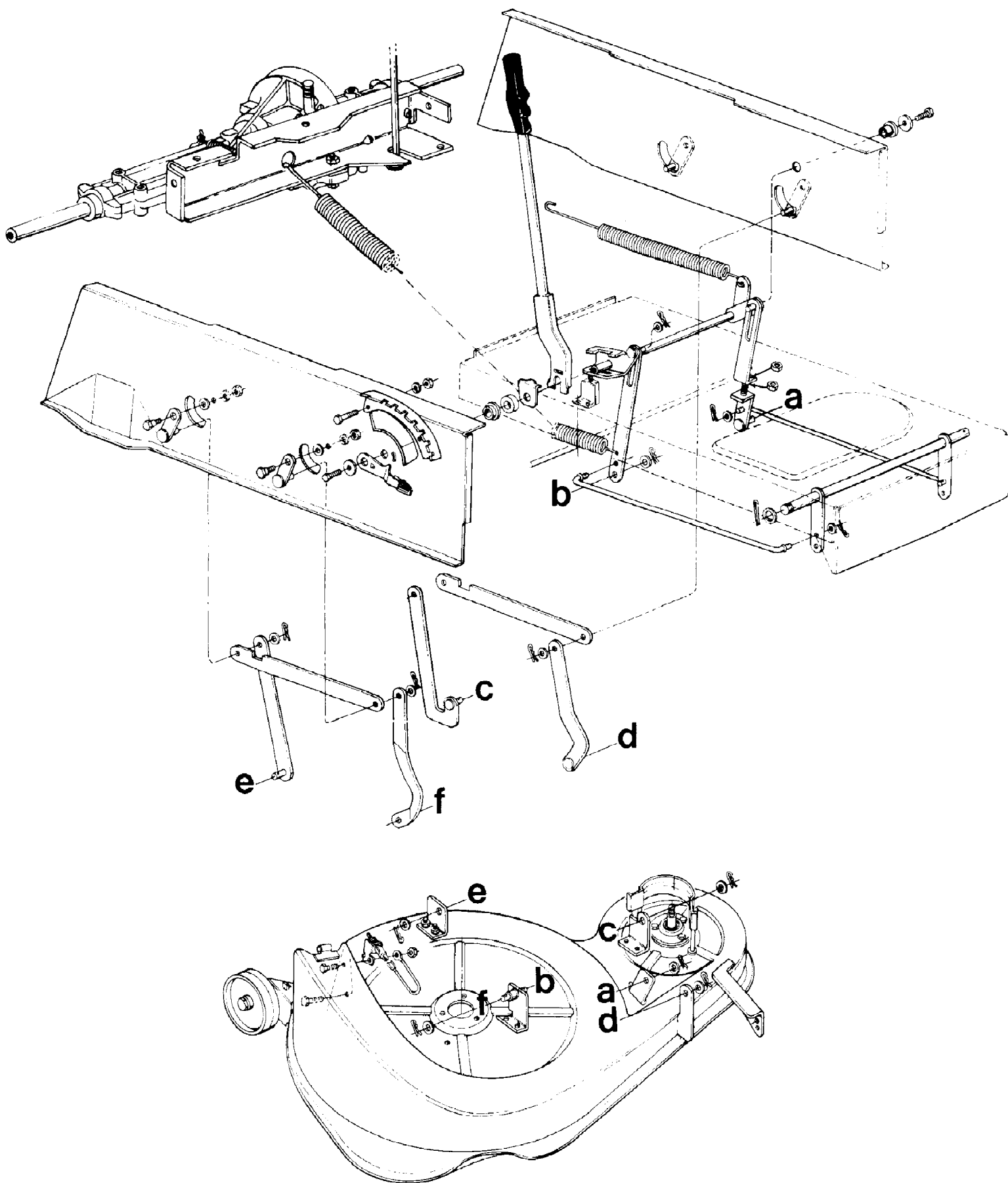
Ref #	Part Number	Qty	S/P/F	Description
1	09322	1		Brake Disc
2	712-0318	1	/P	Hex Jam Nut 5/16-18 Thd.*
3	736-0317	1	/P	Bell-Wash. .630" I.D. x 1.25" O.D.
4	756-0413	1		Pulley Ass'y. 3.5" O.D. x 5/8
5	714-0365	1	S	#6 Hi-Pro Key 5132" x 5/8" Dia.
6	15967	1		Belt Guard Ass'y. L.H.
7	736-0119	1	S	L-Wash. 5/16" I.D.*
8	712-0267	1	S	Hex Nut 5/16-18 Thd.*
9	714-0101	1	S	Internal Cotter Pin 1/2" Dia.
10	736-0192	1	S	FI-Wash 531" I.D. x .93" O.D.
11	717-0808	1		Blade Spindle Ass'y.
12	738-0559	1		Blade Spindle
13	738-0414	1		Shld. Bolt .498" Dia. x 1.635
14	736-0105	1	/P	Bell-Wash. .400" I.D. x .88" O.D.
15	734-0973	1	/P	Deck Wheel 5.0" x 1.38"
16	736-0119	1	S	L-Wash. 5/16" I.D.*
17	712-0798	1	/P	Hex Nut 3/8-16 Thd.*
	736-0169	1	S	L-Wash. 3/8" I.D.*
19	710-0117	1	S	Hex Bolt 5/16-24 x 1.00" Lg. (Grade 5)
20	736-0119	1	S	L-Wash. 5/16" I.D.*
21	712-0123	1	/P	Hex Nut 5/16-24 Thd.*
22	748-0189	1	/P	Blade Adapter
23	710-0459	1	S	Hex Bolt 3/8-24 x 1.50" Lg. (Grade 5)
24	736-0217	1	S	L-Wash. 3/8" I.D. H.D.
25	742-0206	1		13" Blade
26	710-0118	1	S	Hex Bolt 5/16-18 x .75" Lg.*
27	736-0119	1	S	L-Wash. 5/16" I.D.*
28	712-0267	1	S	Hex Nut 5/16-18 Thd.*
29	714-0365	1	S	#6 Hi-Pro Key 5132" x 5/8" Dia.
30	742-0267	1	S	24" Blade
31	738-0559	1		Blade Spindle
32	13703	1		Bearing Shield
33	712-0267	1	S	Hex Nut 5/16-18 Thd.*
34	736-0119	1	S	L-Wash. 5/16" I.D.*
35	15951	1		36" Deck Ass'y.
36	15961	1		Deck Hanger Brkt. R.H. Front
37	712-0287	1	S	Hex Nut 1/4-20 Thd.*
38	725-0765	1		Ground Wire
39	725-1001	1		Safety Switch
40	710-0286	1	/P	Truss Mach. Scr. 1/4-20 x .50" Lg.*
41	710-0258	1	S	Hex Bolt 1/4-20 x .62" Lg.*
42	736-0142	1	S	FI-Wash. .281" I.D. x .50" O.D.
43	714-0155	1	S	Internal Cotter Pin
44	15990	1		Chute Deflector Ass'y.
45	723-0296	1		Spring Latch Ass'y.
46	712-0287	1	S	Hex Nut 1/4-20 Thd.*
47	15966	1		Deck Hanger Brkt. R.H. Rear
48	08253	1	S	Brg. Housing 1.85" I.D.
49	710-0118	1	S	Hex Bolt 5/16-18 x .75" Lg.*
50	736-0119	1	S	L-Wash. 5/16" I.D.*
51	712-0267	1	S	Hex Nut 5/16-18 Thd.*
52	741-0919	1	S	Ball Brg. .787" I.D. x 1.85" O.D.
53	710-0118	1	S	Hex Bolt 5/16-18 x .75" Lg.*

135-688-190 36" Lawn Tractor LT-112 (1985)  
36" Rear Discharge Mowing Deck Assembly

Page 3 of 26

Ref #	Part Number	Qty	S/P/F	Description
54	754-0277	1	S	"V"-Belt 1/2" x 71" Lg. (Full A Sec.)
55	747-0466	1		Belt Guard
56	756-0414	1		Pulley 6.0" O.D. x 5/8"
57	15958	1	F	Link Deck Hanger Front R.H.
58	14804	1	F	Link Deck Hanger Ass'y. Rear R.H.
60	732-0157	1	F	Ext. Spring
61	714-0470	1	S/F	Cotter Pin 1/8" Dia. x 1.25"
62	725-1000	1		Wire Lead
63	15959	1	F	Link Deck Hanger Ass'y. Rear L.H.
64	15998	1	F	Link Deck Hanger Ass'y. Front L.H.
	15950	1		36" Deck Ass'y. Comp. (Service Only)

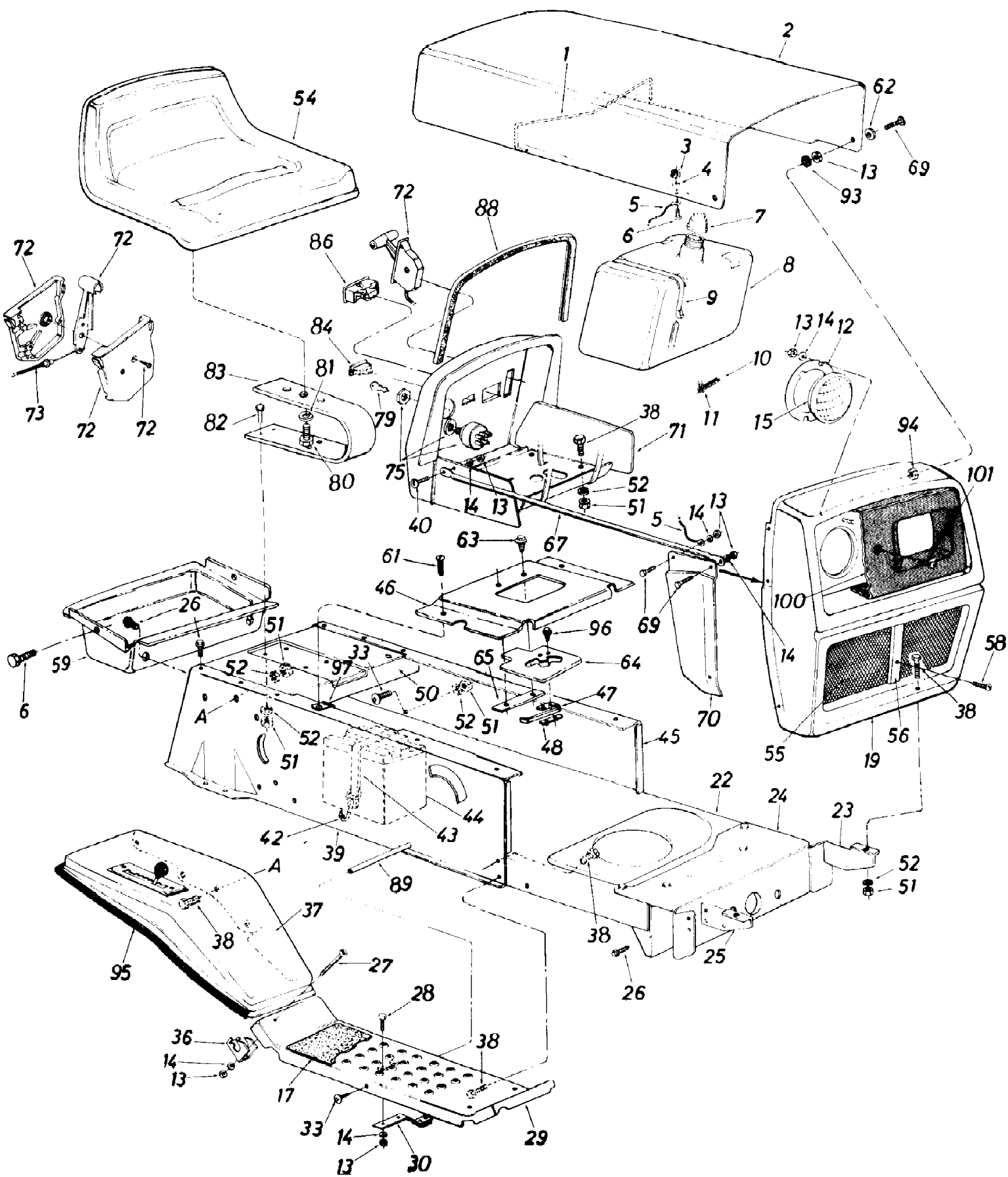
135-688-190 36" Lawn Tractor LT-112 (1985)  
36" Rear Discharge Mowing Deck Lift Assembly



135-688-190 36" Lawn Tractor LT-112 (1985)  
36" Rear Discharge Mowing Deck Lift Assembly

---

Ref #	Part Number	Qty	S/P/F	Description
A		1		UNKNOWN
B		1		UNKNOWN
C		1		UNKNOWN
D		1		UNKNOWN
E		1		UNKNOWN
F		1		UNKNOWN



135-688-190 36" Lawn Tractor LT-112 (1985)  
Chassis Assembly

Page 7 of 26

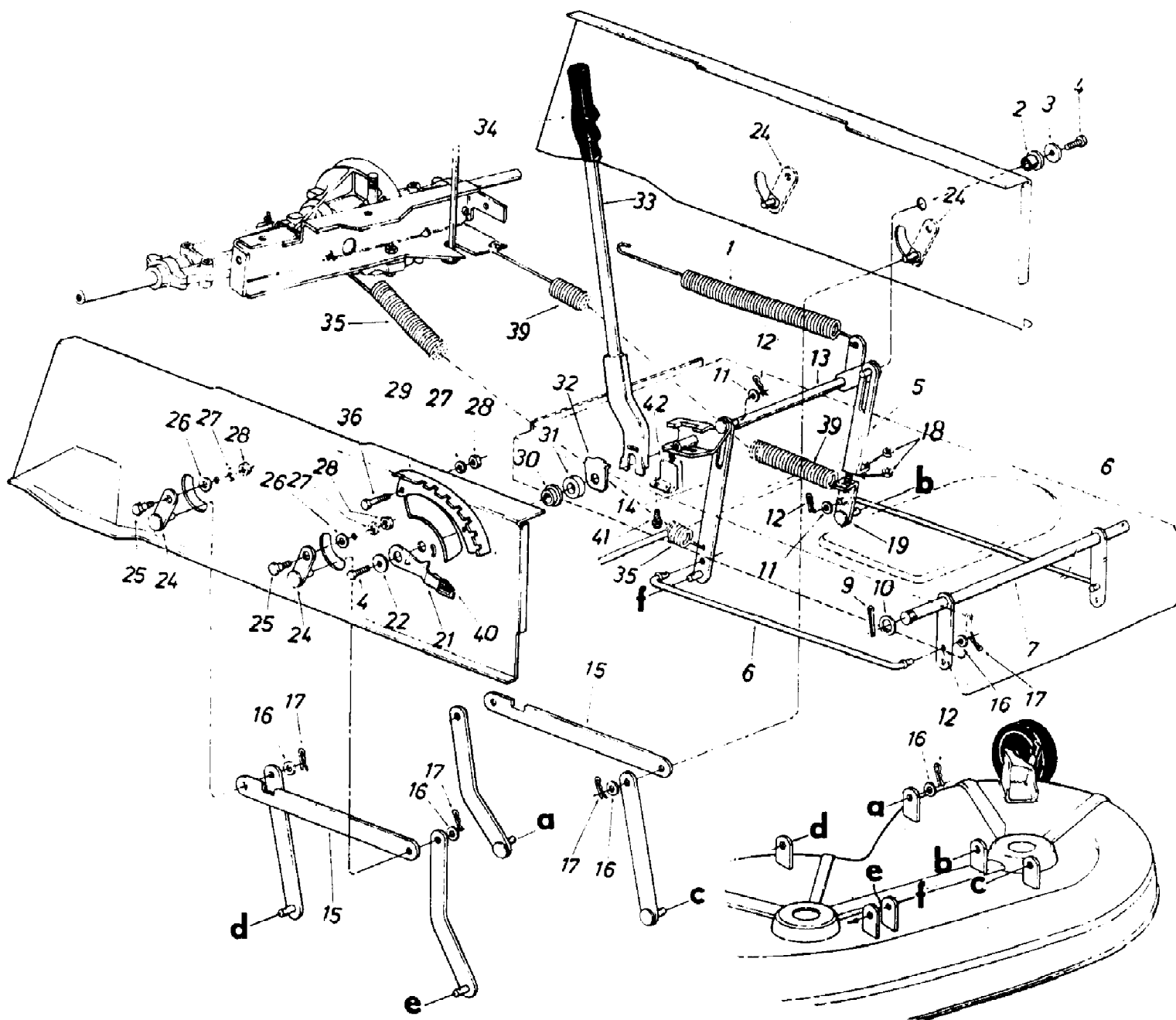
Ref #	Part Number	Qty	S/P/F	Description
1	732-0414	1		Hood Spring
2	14665-623	1		Hood
3	712-0272	1	/P	Hex Sems Nut #10-24 Thd.*
4	736-0463	1	S	Fl-Wash. .281" I.D. x .62" O.D. x .051
5	723-0302	1		Hood Stop 7" Lg.
6	710-0473	1	/P	Truss Hd. Scr. #10-24 x 1/2"*
7	723-0333	1	S	Fuel Cap Gauge
8	751-0172	1	S	Fuel Tank
9	726-0209	1	/P	Tie Strap
10	751-0173	1	S	Fuel Line
11	726-0207	1		Hose Clamp
12	09960	1		Headlight Retainer (688)
13	712-0287	1	S	Hex Nut 1/4-20 Thd.* (688)
14	736-0329	1	S	L-Wash. 1/4" I.D.* (688)
15	725-0222	1	S	Headlight (688)
17	723-0360	1		Foot Pad (Optional)
19	14787	1		Grille Ass'y. (688)
	16405	1		Grille Ass'y. (690)
22	14606	1		Lower Frame
23	13863	1		Grille Mount Brkt. L.H.
24	14619	1		Front Pivot Brkt.
25	13862	1		Grille Mount Brkt. R.H.
26	710-0726	1	/P	Hex Wash. Hd. AB-Tap Scr. 5/16 x .75" Lg.
27	710-0524	1		Truss Hd. Scr. 1/4-20 x 1.75" Lg.*
28	710-0134	1	/P	Carriage Bolt 1/4-20 x .62" Lg.*
29	14604	1		Running Board (R.H. & L.H.)
30	761-0169	1	S	Blade Brake Ass'y.
33	710-0323	1	/P	Truss Mach. Scr. 5/16-18 x .75" Lg.*
36	14671	1		Fender Clamp
37	16198	1		Fender (R.H.)
	15350	1		Fender (L.H.)
38	710-0118	1	S	Hex Bolt 5/16-18 x .75" Lg.*
39	14602	1	S	R.H. Side Frame
40	710-0258	1	S	Hex Bolt 1/4-20 x .62" Lg.*
42	747-0475	1		Battery Strap Hook
43	731-0718	1		Battery Hold Down Strap
44	725-0514	1	S	12-V Battery
45	14603	1		L.H. Side Frame
46	16188	1		Shift Cover
47	725-0759	1	S	Reverse Safety Switch
48	726-0222	1	S	Insulator Nut Plate
50	14607	1		Hitch Plate
51	712-0267	1	S	Hex Nut 5/16-18 Thd.*
52	736-0119	1	S	L-Wash. 5/16" I.D.*
54	757-0309	1		Seat Ass'y.
55	13730	1		Grille Screen (688)
56	723-0347	1		Moulding (688)
58	710-0148	1	/P	Hex Wash. Hd. F-Tap Scr. #8-32 x .38" Lg. (688)
59	731-0561	1		Tool Tray (688)
	14789	1		Fender Panel (690)
61	710-0351	1	/P	Truss Mach. Tap Scr. #10 x .50" Lg.

135-688-190 36" Lawn Tractor LT-112 (1985)  
Chassis Assembly

Page 8 of 26

Ref #	Part Number	Qty	S/P/F	Description
62	736-0463	1	S	FI-Wash. .296 I.D. x .62 O.D.
63	710-0924	1	/P	Truss Mach. Scr. 1/4-20 x .75" Lg.
64	16189	1		Gear Selection Plate
65	16190	1		Clamping Plate
67	749-0517	1		Grille Support Rod (R.H. & L.H.)
69	710-0255	1	S	Truss Hd. Scr. 1/4-20 x .75" Lg.*
70	14748	1		R.H. Grille Side Panel
	14749	1		L.H. Grille Side Panel
71	15933	1		Dash Panel Ass'y.
72	831-0692	1	S	Throttle Control Box Ass'y.
73	746-0501	1	/P	Throttle Control Wire
75	725-0267	1	S	Ignition Switch
79	725-0201	1	S	Ignition Key
80	710-0493	2	S	Hex Bolt 1/2-13 x 1.00" Lg
81	736-0921	1	S	L-Wash. 1/2" I.D.*
82	710-0376	1	/P	Hex Bolt 5/16-18 x 1.00" Lg.*
83	732-0458	1		Seat Spring 5.5" High
84	725-0634	1	S	Light Switch (688)
86	725-0925	1	S	Ammeter (688)
88	731-0511	1	/P	Molding Strip 27" Lg.
89	738-0526	1		Running Board Rod
	710-0599	1	/P	Thread Rolling Scr. 1/4-20 x .50" Lg.
93	735-0144	1		RubberWash. 1/2" I.D. x 1.0 O.D. x .25"
94	712-0324	1	/P	Hex Sems Ins. L-Nut 1/4-20 Thd.
95	731-0516	1	S	Trim Strip
96	710-0227	1	/P	Hex Wash. Hd. AB-Tap Scr. #8 x .50" Lg.
97	726-0139	1	/P	Speed Nut #10Z
100	731-0465	1		Bezel (688)
101	710-0425	1	/P	Truss Scr. #10-24 x .62" Lg. (688)

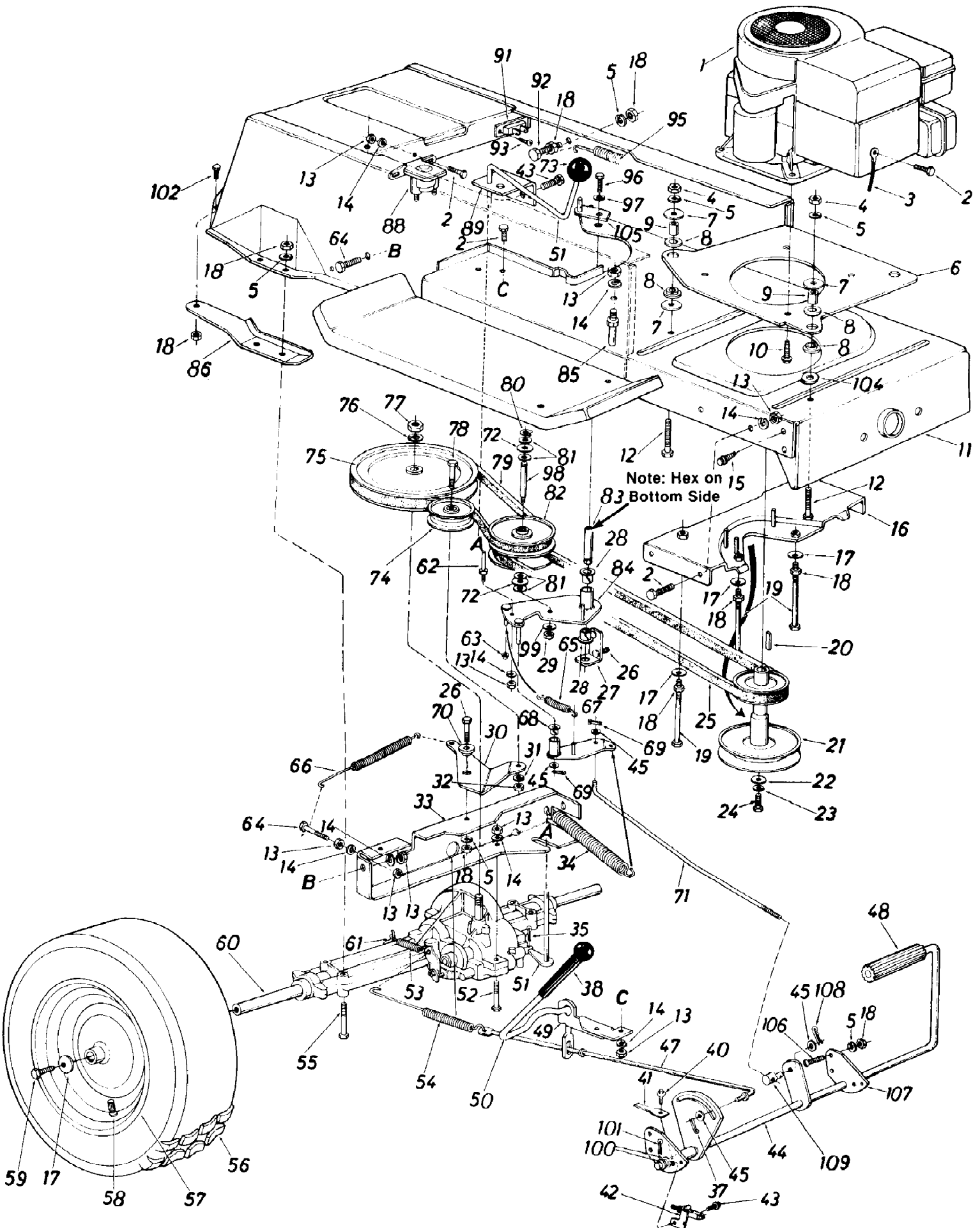




135-688-190 36" Lawn Tractor LT-112 (1985)  
Deck Lift Assembly

Page 10 of 26

Ref #	Part Number	Qty	S/P/F	Description
1	732-0307	1	S	Extension Spring .99" O.D. x 11.00" Lg.
2	741-0313	1	S	Flange Bearing .634" I.D.
3	736-0231	1	S	FI-Wash. .344" I.D. x 1.125"
4	710-0604	1	S	Hex Wash. Hd. 5/16-18 x .62" Lg.
5	16063	1	S	Adj. Link Lift
6	711-0738	1		Stabilizer Rod
7	14647	1		Stabilizer Shaft Ass'y.
9	714-0470	1	S	Cotter Pin 118" Dia. x 11/4"*
10	736-0156	1	/P	FI-Wash. .635" I.D. x 1.12"
11	736-0192	1	S	FI-Wash. .531" I.D. x .940"
12	714-0101	1	S	Inter. Cotter Pin .50" Dia.
13	14641	1		Lift Shaft Ass'y.
14	14802	1	S	Link Deck Lift Ass'y.
15	09735	1		Connecting Rod
16	736-0300	1	S	FI-Wash. .40" I.D. x .88"
17	714-0104	1	S	Inter. Cotter Pin 3/8" Rod
18	712-0342	1	/P	Hex Jam Nut 3/8-16 Thd.
19	16064	1	S	Adj. Link Lift Ass'y.
21	732-0412	1	S	Deck Lift Down Stop
22	736-0231	1	S	FI-Wash. .344" I.D. x 1.125" O.D. x .125
24	09721	1		Pivot Link Ass'y.
25	738-0140	1	S	Shld. Bolt .437" Dia. x .180" Lg. 5/16-18
26	736-0264	1	S	FI-Wash. .344" I.D. x .62"
27	736-0119	1	S	L-Wash. 5/16" I.D.*
28	712-0267	1	S	Hex Nut 5/16-18 Thd.*
29	14633	1		Index Brkt.
30	736-0341	1		Flange Wash. .628" I.D. x 1.25" O.D.
31	735-0216	1		Rubber Wash. 1.50" O.D.
32	14654	1		Retainer Washer Lift Handle
33	14645	1		Lift Handle Ass'y.
34	720-0157	1	S	Grip (Lift Handle)
35	732-0440	1		Extension Spring .99" O.D. x 14.25" Lg.
36	710-0118	1	S	Hex Bolt 5/16-18 x .75"*
39	732-0440	1		Extension Spring
40	08540	1	/P	Knob
41	710-0351	1	/P	Hex AB-Tap Scr. #10 x .50"
42	725-0803	1	S	Safety Switch



Ref #	Part Number	Qty	S/P/F	Description
1		1		Engine
2	710-0258	1	S	Hex Bolt 1/4-20 x .62" Lg.*
3	725-0122	1		Electric Ground Wire
4	712-0123	1	/P	Hex Nut 5/16-24 Thd.*
5	736-0119	1	S	L-Wash. 5/16" I.D.*
6	14791	1		Engine Mounting Plate
7	736-0343	1	/P	FI-Wash. .320" I.D. x 1.25"
8	722-0153	1	S	Engine Mounting Grommet
9	750-0539	1	S	Spacer
10	710-0502	1	S	Hex Bolt 3/8-16 x 1.25" Lg.
11	15930	1		Lower Frame Ass'y.
12	710-0158	1	S	Hex Bolt 5/16-24 x 1.25"
13	712-0287	1	S	Hex Nut 1/4-20 Thd.*
14	736-0329	1	S	L-Wash. 1/4" I.D.*
15	710-0726	1	/P	Hex Wash. Hd. AB-Tap Scr. 5/16" x .75" Lg.
16	15898	1		Belt Guard Brkt. Ass'y.
17	736-0242	1	/P	Bell-Wash. .345" I.D. x .88"
18	712-0267	1	S	Hex Nut 5/16-18 Thd.*
19	710-0190	1	/P	Hex Bolt 5/16-18 x 4.00"
20	714-0114	1	S	Sq. Key 1/4" x 1/4" x 2.00"
21	756-0428	1		Engine Pulley
22	736-0322	1	/P	FI-Wash. 7/16" I.D. x 1.25"
23	736-0171	1	S	L-Wash. 7/16" I.D.*
24	710-0757	1	/P	Hex Bolt 7/16-20 x 1.50" Lg.
25	754-0280	1	S	Variable-Speed Belt .715 x 53" Lg.
26	710-0621	1	S	Hex Bolt 5/16-18 x .50" Lg.*
27	15890	1		Bearing Shaft Bracket
28	741-0295	1	S	Flanged Nyliner Brg. 5/8" I.D. x .88" Lg.
29	712-0241	1	/P	Hex Nut 3/8-24 Thd.*
30	15891	1	S	Idler Bracket
31	736-0169	1	S	L-Wash. 3/8" I.D.*
32	712-0241	1	/P	Hex Nut 3/8-24 Thd.*
33	15945	1	S	Transaxle Support Brkt.
34	732-0459	1	S	Ext. Spring .94" O.D. x 6.7
35	714-0115	1	S	Cotter Pin 1/8" Dia. x 1.0"
37	714-0111	1	S	Cotter Pin 3/32" Dia. x 1.0"
38	720-0143	1		Grip Black
40	710-0599	1	/P	Hex Wash. Hd. Self-Tap Scr. 1/4-20 x .50" Lg.
41	732-0435	1		Switch Actuator
42	725-0268	1	S	Safety Switch
43	710-0892	1	S	Hex Wash. Hd. AB-Tap Scr. 1/4 x .62" Lg.
44	16191	1		Clutch & Brake Pedal Ass'y.
45	736-0117	1	S	FI-Wash.
47	747-0519	1		Brake Rod
48	735-0196	1	S	Foot Pad
49	15889	1		Brake Lever Bracket
50	15888	1		Hill Holder Brake Handle
51	15838	1		Shift Lever Ass'y.
52	710-0559	1		Hex Bolt 1/4-28 x 1.75" Lg.*
53	732-0264	1	S	Ext. Spring .38" O.D. x 2.5"
54	732-0413	1	S	Ext. Spring .59" O.D. x 7.08"
55	710-0378	1	/P	Hex Bolt 5/16-18 x 2.50"
56	734-1132			

Ref #	Part Number	Qty	S/P/F	Description
	734-0591	1	/P	Wheel Ass'y. Comp. (690)
	734-0294	1	/P	Tire Only (688)
	734-0275	1	/P	Tire Only (690)
57	734-1133	1		Wheel Rim Only (688)
	734-0594	1	S	Rim Only (690)
58	734-0255	1	S	Air Valve (Service Only)
59	710-0627	1	/P	Hex Bolt 5116-24 x .75" Lg.*
60	717-0750	1	S	Transaxle Complete
61	732-0454	1	S	Brake Return Spring Anchor
62	711-0768	1	S	Belt Guard Pin 1/4-20 Thd.
63	726-0106	1	S	Cap Speed Nut 1/4" Dia.
64	710-0751	1	/P	Hex Bolt 1/4-20 x .62" Lg. Grade 5
65	732-0387	1		Ext. Spring .50" Dia.
66	732-0455	1	S	Ext. Spring .56" O.D. x 5.96"
67	16352	1		Variable Speed Torque Brkt. Ass'y
68	741-0419	1		Flanged Bearing
69	714-0507	1	S	Cotter Pin 3/32" Dia.*
70	748-0234	1	/P	Shoulder Spacer .500" Dia .27" Lg.
71	747-0518	1		Speed Control Link
72	741-0405	1	S	Truss Bearing .56 Dia. x 1 .25 "
73	720-0165	1	S	Ball Knob
74	756-0437	1	S	FI-Idler Pulley 3.25" x 1.0"
75	756-0374	1	/P	1/2" "V"-Pulley 8.0" O.D. x .50" I.D.
76	736-0921	1	S	L-Wash. 1/2" I.D.
77	712-0922	1	/P	Hex Jam Nut 1/2-20 Thd.*
78	710-0459	1	S	Hex Bolt 3/8-24 x 1.50" Lg.*
79	754-0281	1	S	Variable Sp. Belt .715 x 44"
80	716-0114	1	S	Snap Ring .56" Dia.
81	736-0355	1	/P	FI-Wash .
82	717-0800	1	S	Variable Sp. Pulley Ass'y.
83	711-0766	1		Bearing Shaft
84	16354	1	S	Variable Speed Brkt. Ass'y.
85	711-0474	1		Belt Guard Pin 1/4" Dia. x 1.68 " Lg. .
86	14770	1		Transaxle Support Brkt. R. H .
	14769	1	S	Transaxle Support Brkt. L.H. (Not Shown)
88	725-0771	1	S	Solenoid
89	16031	1		Shift Lever Bracket
91	725-0459	1	S	Circuit Breaker
92	710-0528	1	/P	Hex Bolt 5/16-18 x 1.25" Lg.
93	710-0351	1	/P	Truss Hd. Phil. Scr. #10 x 1/2 " Lg.
95	732-0307	1	S	Ext. Spring .99" O.D. x 11.0"
96	710-0180	1	/P	Hex Bolt 3/8-24 x .75" Lg.*
97	736-0105	1	/P	Bell-Wash. .38" I.D. x .88"
98	738-0569	1	S	Shaft .56" Dia. x 3.875" Lg.
99	736-0331	1	/P	Bell-Wash. .39" I.D. x 1.12"
100	736-0256	1	S	FI-Wash.
101	714-0470	1	S	Cotter Pin
102	710-0604	1	S	Hex Wash. Hd. Scr. 5/16-18 x .62" Lg.
104	736-0362	1	/P	FI-Wash. .32" I.D. x 1.25"
105	16067	1		Belt Guard
106	710-0323	1	/P	Truss Mach. Scr. 5/16-18 x .75" Lg.*
107	15835	1		Pedal Bracket
108	714-0104			1/8" Dia.

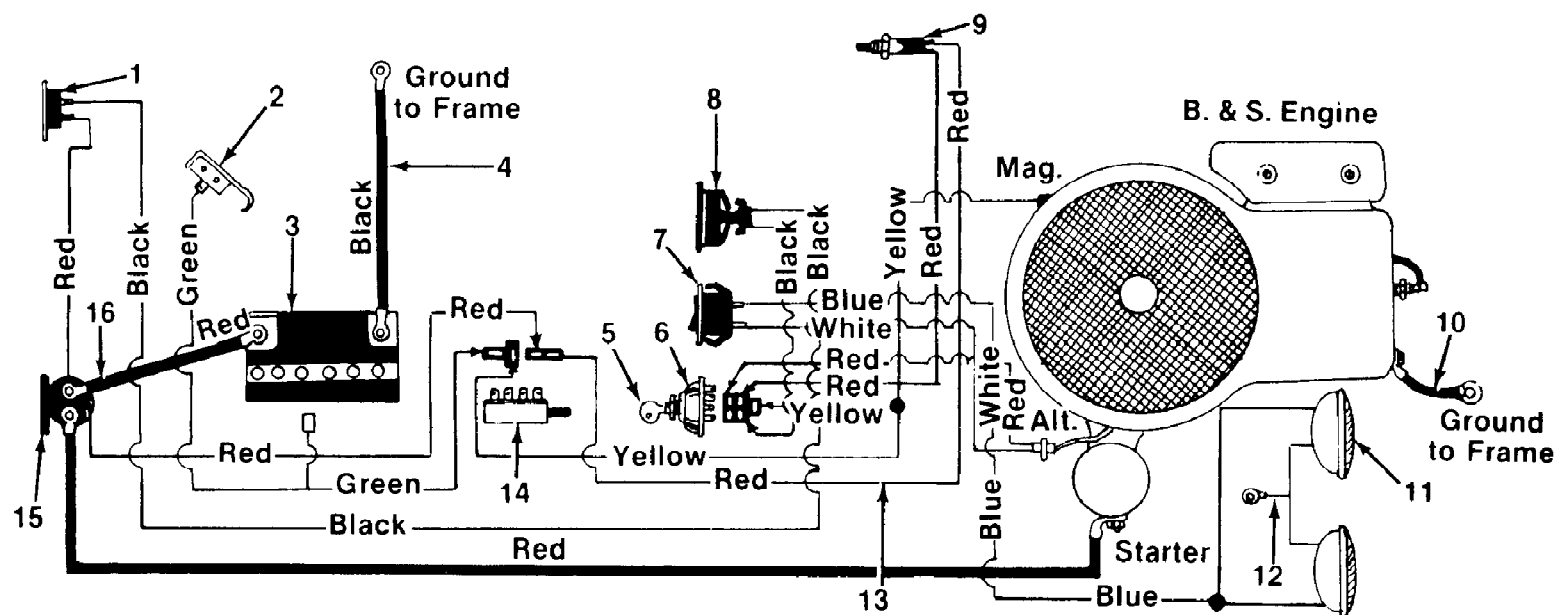
135-688-190 36" Lawn Tractor LT-112 (1985)  
Drive Assembly

Page 14 of 26

---

Ref #	Part Number	Qty	S/P/F	Description
109	711-0198	1	S	Ferrule

---

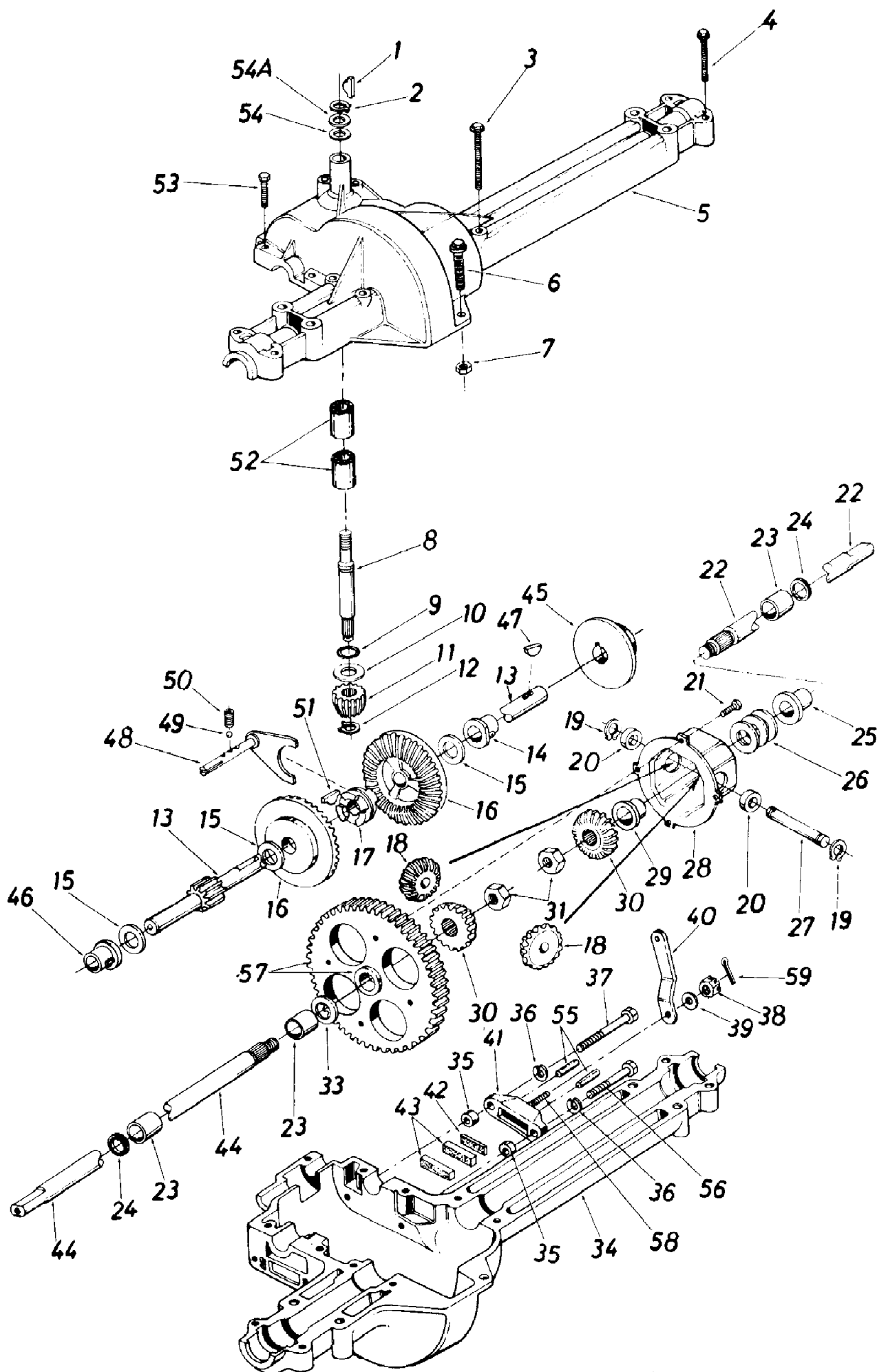


135-688-190 36" Lawn Tractor LT-112 (1985)  
Electrical System

Page 16 of 26

Ref #	Part Number	Qty	S/P/F	Description
1	725-0459	1	S	Circuit Breaker
2	725-0759	1	S	Spring Switch (Reverse Safety)
3	725-0514	1	S	12V-Battery
4	725-0975	1		Grounding Wire 9.0" Lg. (Black Negative)
5	725-0201	1	S	Ignition Key
6	725-0267	1	S	Ignition Switch
7	725-0634	1	S	Headlight Switch
8	725-0925	1	S	Ammeter
9	725-0268	1	S	Safety Switch (Clutch)
10	725-0976	1	S	Ground Wire 7.25" Lg. (Black Engine)
11	725-0222	1	S	Headlight
12	725-0916	1	S	Ground Wire (Headlight)
13	725-0939	1		Wire Harness
14	725-0803	1	S	Safety Switch (P.T.O.)
15	725-0771	1	S	Solenoid
16	725-0926	1	/P	Electric Wire w/ Boot (Red Positive)





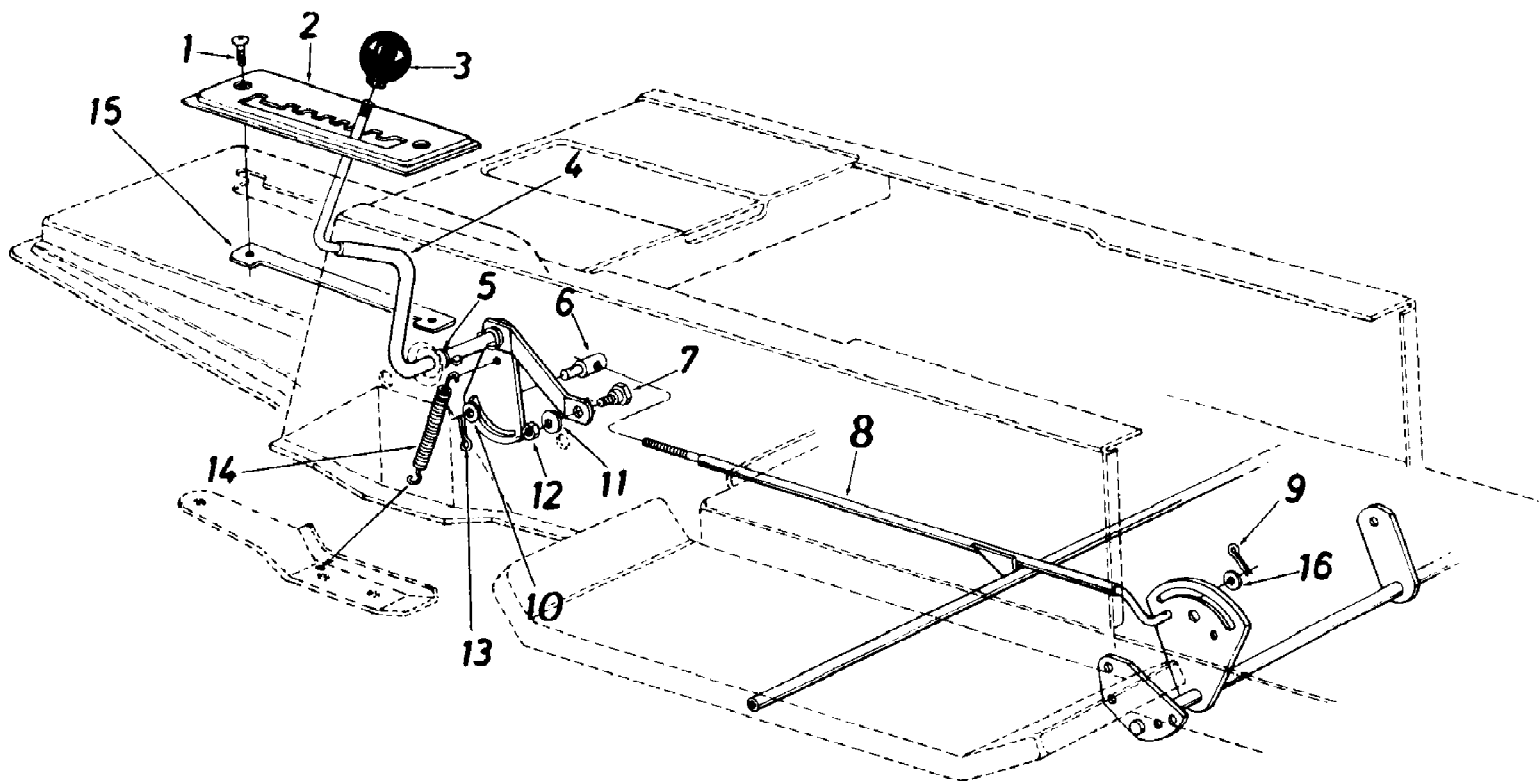
Ref #	Part Number	Qty	S/P/F	Description
1	714-0129	1	S	#4 Hi-Pro Key 3/32 x 5/8" Dia.
2	716-0115	1	S	Snap Ring .625" Shaft
3	710-0854	1	S	Hex Bolt 1/4-20 x 1.75" Lg.*
4	710-0809	1		Hex Bolt 1/4-20 x 1.25" Lg.*
5	717-0764	1	S	Upper Housing
6	710-0889	1		Hex FI-Bolt 1/4-20 x .88" Lg.*
7	712-0287	1	S	Hex Nut 1/4-20 Thd.*
8	717-0634	1	S	Input Shaft
9	721-0178	1	S	Square Seal 5/8" I.D.
10	736-0335	1	S	Thrust Washer 5/8" I.D. x 1.25" O.D
11	717-0633	1	S	Pinion Input 14T
12	716-0108	1	S	Retaining Ring 7/16" Ext.
13	717-0758	1	S	Drive Shaft R.H.
14	741-0336	1	S	Flange Brg. 5/8" I.D. x 3/4" Lg.*
15		1		FI-Wash.
	736-0349	1	S	FI-Wash. 5/8" I.D. x 1.0" O.D. x .020 Thk.
	736-0336	1	S	FI-Wash. 5/8" I.D. x 1.0" O.D. x .030 Thk.
	736-0337	1	S	FI-Wash. 5/8" I.D. x 1.0" O.D. x .040 Thk.
16	717-0757	1		Bevel Gear 42T
17	717-0667	1	S	Clutch Collar
18	717-1010	1	S	Miter Gear 15T
19	716-0142	1	S	Snap Ring
20	717-0690	1	S	Thrust Bearing 1/2" I.D. x 1.0" O.D.
21	710-0862	1	S	Pan Head Scr. 1/4-20 x .50" Lg. w/ Patch
22	717-1012	1		Axle R.H.
23	741-0340	1	S	Sleeve Bearing 3/4" I.D. x 1.0" Lg.
24	721-0179	1	S	Oil Seal 3/4" I.D.
25	741-0339	1	S	Flange Bearing 3/4" I.D. x 15/16" Lg.
26	736-0188	1	/P	FI-Wash. .760" I.D. x 1.49" O.D.
27	717-0673	1	S	Cross Shaft
28	717-0777	1	S	Differential Housing Ass'y.
29		1		Comes with Ref. 28
30	717-1009	1	S	Miter Gear
31	712-0200	1	S	Hex Ins. L-Nut 1/2-20 Thd.
33	736-0188	1	/P	FI-Wash. .760" I.D. x 1.49" O.D.
34	717-0761	1	S	Lower Housing
35	750-0555	1		Spacer .53" O.D. x 3/8" Lg.
36	736-0329	1	S	L-Wash. 1/4" I.D.*
37	710-0886	1	S	Hex Bolt 1/4-20 x 1.50" Lg. (Grade 5)
38	712-0335	1	S	Castle Nut 5/16-24 Thd.*
39	736-0159	1	S	FI-Wash. .344" I.D. x .875" O.D.
40	717-0700	1	/P	Actuating Arm R.H.
41	717-0679	1		Brake Yoke
42	717-0682	1	S	Puck Plate
43	717-0678	1	S	Brake Puck
44	717-1011	1		Axle L.H.
45	717-0677	1	/P	Brake Disc
46	741-0337	1	S	Flange Bearing 5/8" I.D. x 15/16" Lg.
47	714-0161	1	S	Woodruff Key 3/16 x 5/8 HT
48	717-0754	1	S	Shift Fork Ass'y.
49	741-0862	1	/P	Ball Detent.250" Dia.
50	732-0863	1	S	Spring Detent
51	714-0169			3/16" x 3/4" Dia. HT

135-688-190 36" Lawn Tractor LT-112 (1985)  
Single Speed Transaxle

Page 19 of 26

Ref #	Part Number	Qty	S/P/F	Description
52	741-0335	1	S	Needle Brg. 5/8" I.D. x 1/2" Lg.
53	710-0855	1	S	Hex Bolt 1/4-20 x 1.00" Lg.
54	736-0336	1	S	Fl-Wash. 5/8" I.D. x .030
54A	736-0337	1	S	Fl-Wash. 5/8" I.D. x .040
55	741-0343	1	S	Actuating Pin 5/16" Dia.
56	710-0886	1	S	Hex Bolt 1/4-20 x 1.50" Lg. (Grade 5)
57	717-0767	1	S	Differential Gear 72T Ass'y w/ Bearing
58	717-0681	1	S	Sq. Hd. Bolt 5/16-24 Thd.
59	1544-013	1	S	Cotter Pin 3/32" Dia. x .50" Lg.
	737-0148	1	S	Grease Shell (10 oz.)

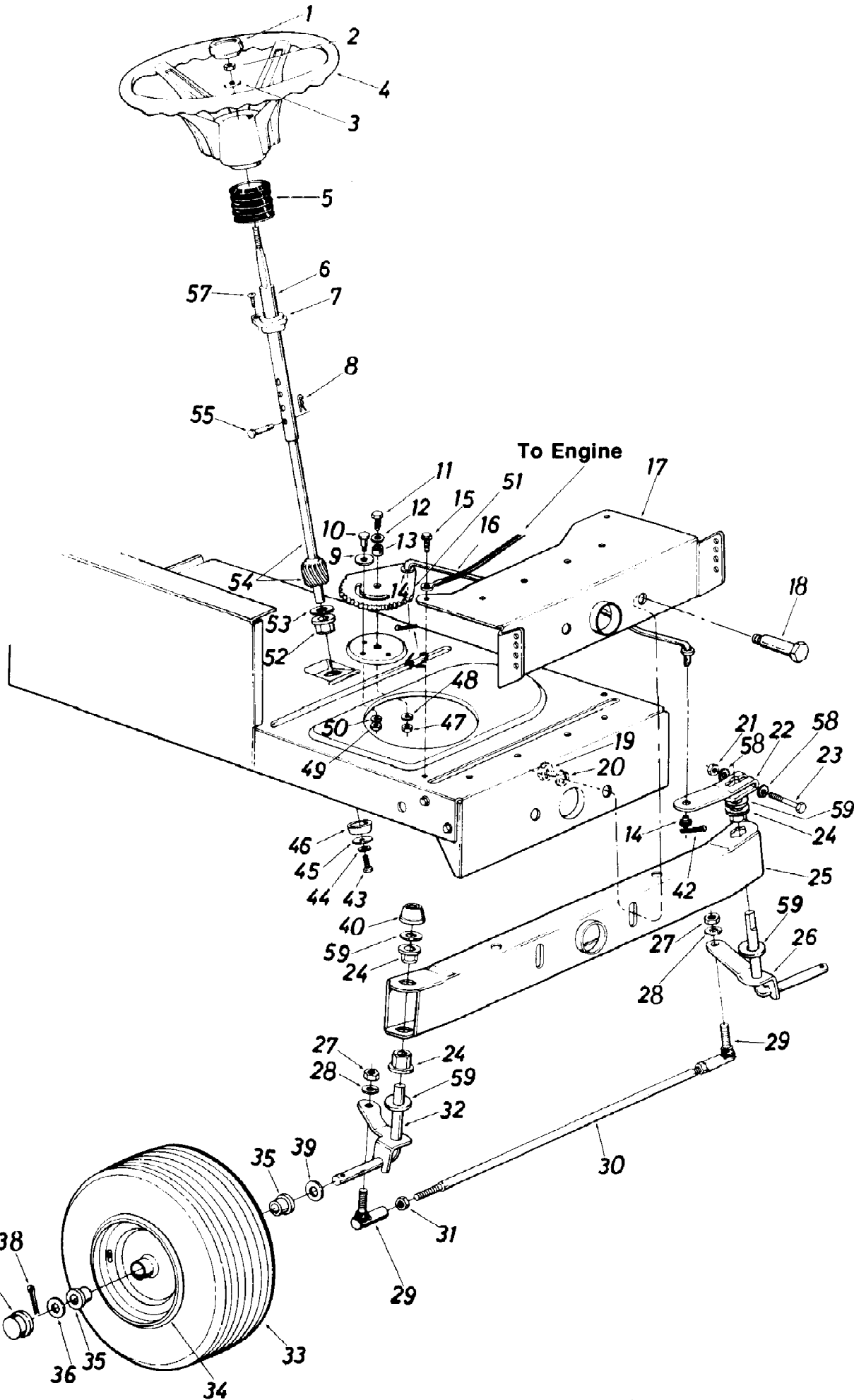
135-688-190 36" Lawn Tractor LT-112 (1985)  
Speed Selector Assembly



135-688-190 36" Lawn Tractor LT-112 (1985)  
Speed Selector Assembly

Page 21 of 26

Ref #	Part Number	Qty	S/P/F	Description
1	710-0924	1	/P	Truss Mach. Scr. 1/4-20 x .75"Lg.
2	16194	1	S	Speed Selector Plate (688 & 704)
	16195	1		Speed Selector Plate (690)
3	720-0175	1	S	Gear Shift Knob
4	16192	1	S	Speed Selector Cam Ass'y.
5	736-0192	1	S	Flat Washer .53" I.D. x .93" O.D.
6	711-0198	1	S	Ferrule 3/8-24 x .37" Dia.
7	738-0155	1	S	Shoulder Bolt .435" Dia. x .160
8	16355	1		Speed Control Rod Ass'y
9	714-0507	1	S	Cotter Pin 3/32" Dia. x .75" Lg.*
10	736-0117	1	S	FI-Wash. .39" I.D.
11	736-0119	1	S	L-Wash. 5/16" I.D.
12	712-0267	1	S	Hex Nut 5/16-18 Thd.*
13	714-0104	1	S	Hairpin Cotter 1/8" Dia.
14	732-0303	1	S	Spring
15	16196	1		Clamping Plate
16	736-0226	1	S	FI-Wash. .47" I.D. x .88" O.D. x .063



135-688-190 36" Lawn Tractor LT-112 (1985)  
Steering Assembly

Page 23 of 26

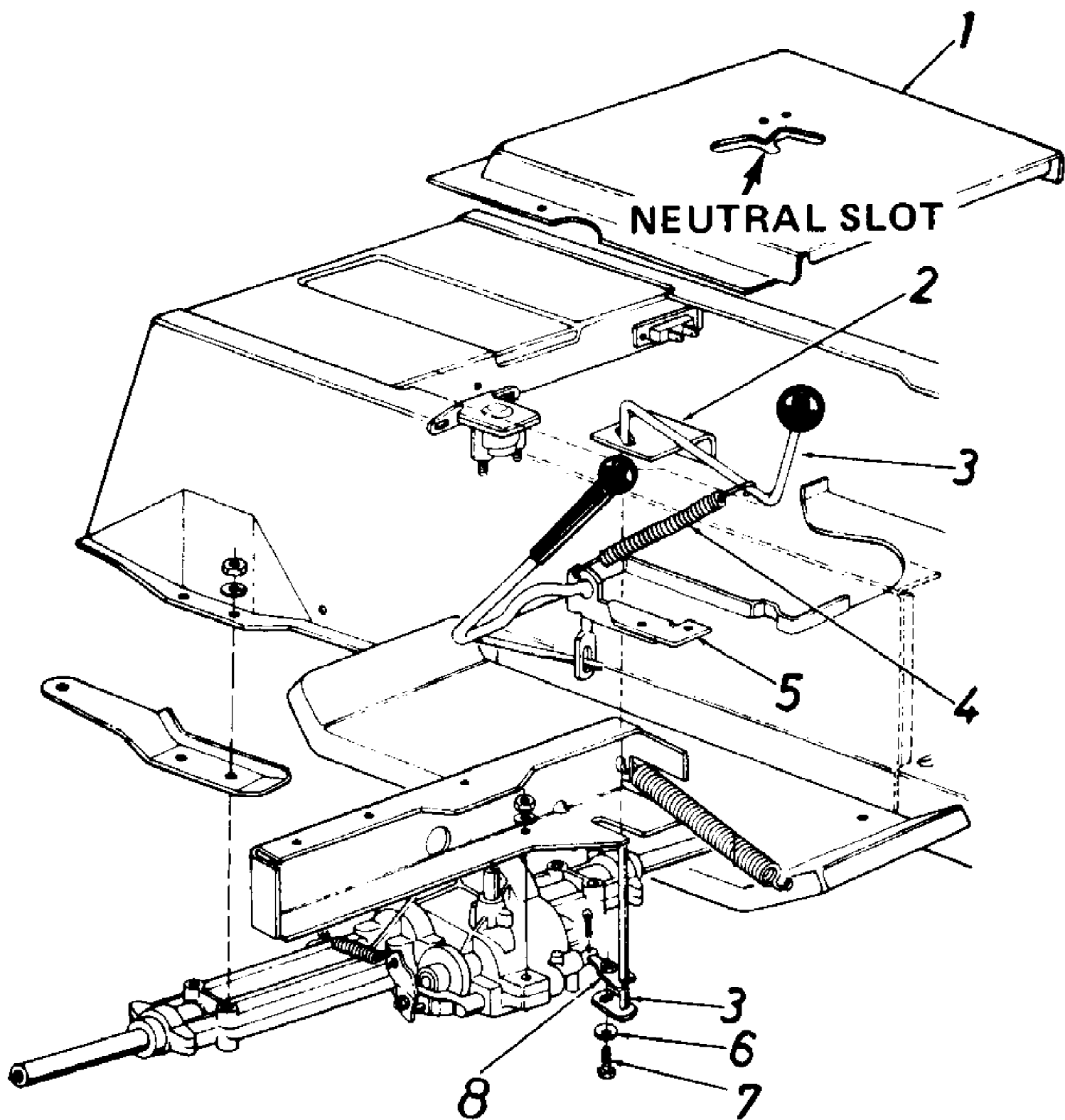
Ref #	Part Number	Qty	S/P/F	Description
1	731-0220	1	S	Steering Wheel Cap
2	712-0267	1	S	Hex Nut 5/16-18 Thd.*
3	736-0242	1	/P	Belleville Wash. .345" I.D.
4	731-0219	1	/P	Steering Wheel
5	731-0559	1	S	Steering Bellow 4.5"
6	14775	1		Steering Column Ass'y.
7	741-0356	1		Flange Bearing .890 I.D. x 1.36 O.D.
8	714-0147	1		Internal Cotter Pin 1/4" Dia.
9	736-0319	1	S	FI-Wash. .438" I.D. x 1.37" O.D.
10	738-0141	1	S	Shoulder Bolt .437" Dia. x .35 Lg. 5/16-18 Thd.
11	710-0152	1	S	Hex Bolt 3/8-24 x 1.0" Lg. (Grade 5)
12	736-0206	1	S	FI-Wash. .38" I.D. x 1.0" O.D.
13	750-0535	1	S	Spacer .380" I.D. x .625" O.D. x .227
14	736-0355	1	/P	Flat Washer .56 I.D. x 1.0 O.D.
15	710-0726	1	/P	Hex Wash. Hd. Self-Tap Scr.
16	711-0782	1	/P	Steering Drag Link
17	14619	1		Front Pivot Brkt.
18	738-0527	1	S	Shoulder Bolt .498" Dia. x 2.04 Lg. 3/8-16 Thd.
19	712-0798	1	/P	Hex Nut 3/8-16 Thd.*
20	736-0169	1	S	L-Wash. 3/8" I.D.*
21	712-0237	1	S	Hex Cent. L-Nut 5/16-24 Thd.
22	14611	1	S	Steering Arm Front Axle
23	710-0772	1	/P	Hex Bolt 5/16-24 x 2.00" Lg. (Grade 5)
24	741-0225	1	S	Hex Flg. Brg. .634 I.D.
25	14608	1	S	Pivot Bar Ass'y.
26	14649	1	S	Front Axle Ass'y. L. H .
27	712-0241	1	/P	Hex Nut 3/8-24 Thd.*
28	736-0169	1	S	L-Wash. 3/8" I.D.*
29	723-0156	1	S	Ball Joint 3/8-24 Thd.
30	711-0613	1		Tie Rod
31	712-0711	1	/P	Hex Jam Nut 3/8-24 Thd.*
32	14650	1	S	Front Axle Ass'y. R.H.
33	734-1136	1	S	Wheel Ass'y. Comp. (688)
	734-1229	1		Wheel Ass'y. Comp. (690)
	734-0427	1	S	Tire Only (688)
	734-0298	1	S	Tire Only (690)
34	734-0997	1	S	Front Wheel Rim Only (688)
	734-0986	1	S	Front Wheel Rim Only (690)
	734-0255	1	S	Air Valve
	734-0146	1		Grease Fitting
35	741-0313	1	S	Bearing
36	736-0285	1	/P	FI-Wash. .635 I.D. x 1.59" O.D.
37	731-0484	1	S	Front Wheel Hub Cap
38	714-0470	1	S	Cotter Pin 118" Dia. x 1.25" Lg.*
39	736-0156	1	/P	FI-Wash. .635" I.D. x 1.20" O.D.
40	726-0214	1	/P	Push Cap 5/8" Dia. Rod
42	714-0115	1	S	Cotter Pin 118" Dia. x 1.0" Lg.
43	710-0538	1	/P	Hex L-Bolt 5/16-18 x .62" Lg.*
44	736-0119	1	S	L-Wash. 5/16" I.D.*
45	736-0231	1	S	L-Wash. 5/16" I.D. x 1.25" O.D.

135-688-190 36" Lawn Tractor LT-112 (1985)  
Steering Assembly

Page 24 of 26

Ref #	Part Number	Qty	S/P/F	Description
46	750-0532	1	S	Spacer (Plastic)
47	712-0241	1	/P	Hex Nut 3/8-24 Thd.*
48	736-0169	1	S	L-Wash. 3/8" I.D.*
49	712-0267	1	S	Hex Nut 5/16-18 Thd.*
50	736-0119	1	S	L-Wash. 5/16" I.D.*
51	717-0468	1	S	Steering Gear Segment
52	741-0225	1	S	Hex Flg. Brg. .634 I.D.
53	736-0187	1	/P	FI-Wash. (Hardened)
54	738-0522	1	S	Steering Shaft Lower
55	711-0684	1		Clevis Pin 1/4" Dia. x 1.00" Lg.
57	710-0837	1		Oval Hd. Cr. Sunk Scr. #10 x 5/8" Lg.
58	736-0242	1	/P	Bell-Wash.
59	736-0187	1	/P	FI-Wash. (Hardened)





135-688-190 36" Lawn Tractor LT-112 (1985)  
Transmission, Neutral Adjustment

Page 26 of 26

Ref #	Part Number	Qty	S/P/F	Description
1	16433	1		Shift Cover
2	16429	1		Shift Lever Bracket
3	16430	1	S	Shift Lever Ass'y.
4	732-0447	1		Extension Spring
5	15889	1		Brake Lever Bracket
6	736-0270	1	/P	Belle-Wash. .25" I.D. x .75" O.D.
7	710-0195	1	S	Hex Bolt 1/4-28 x .75" Lg.
8	16437	1		Shift Lever Link Ass'y.